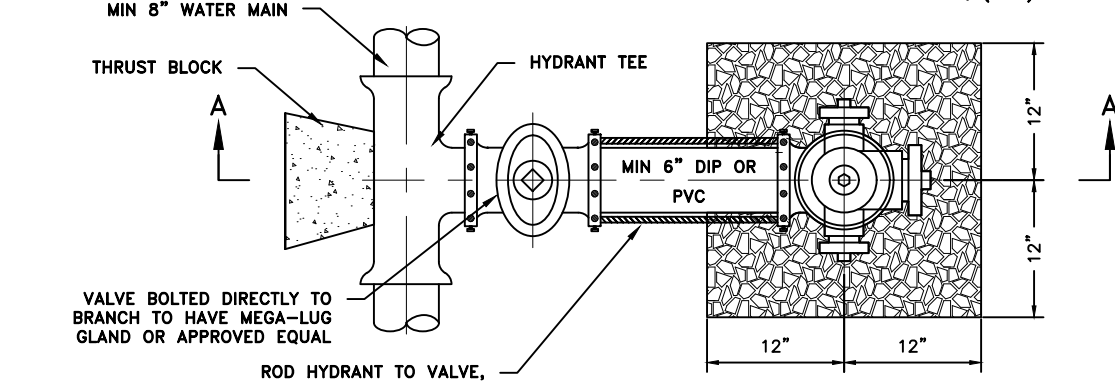


SECTION A-A




PLAN

NOTES:

1. ALL HYDRANTS SHALL STAND PLUMB AND SHALL HAVE THE PUMPER NOZZLE FACING THE CURB.
2. HYDRANT BONNETS SHALL BE PAINTED TO INDICATE AVAILABLE FIRE FLOW IN ACCORDANCE WITH AMERICAN WATER SPECIFICATIONS.
3. IF HYDRANT LATERAL IS NOT RESTRAINED, CONTRACTOR SHALL PROVIDE A THRUST BLOCK BEHIND HYDRANT SHOE.
4. RESTRAIN ALL JOINTS ON HYDRANT TEE, HYDRANT VALVE, AND HYDRANT LEAD.
5. AMERICAN WATER RESERVES THE RIGHT TO WAIVE STRICT COMPLIANCE WITH THIS DETAIL IN THE EVENT THAT FIELD CONDITIONS OR O&M WORK REQUIRE A WAIVER.
6. THE DESIGN ENGINEER SHALL DETERMINE IF BOLLARDS ARE REQUIRED

FIRE HYDRANT

REVISIONS	AMERICAN WATER MILITARY SERVICES GROUP CIVIL FIRE HYDRANT DETAIL
	AMERICAN WATER MILITARY SERVICES GROUP CAMDEN, NJ 08102
	AMERICAN WATER M.S.G. 1 WATER STREET CAMDEN, NJ 08102
	
	DRAWN BY Z. ALAM PROJECT ENG'R PDK APPROVED DATE 05-03-2010 PROJECT N/A USE DIMENSIONS ONLY SCALE N.T.S.
USE APPROVED DRAWINGS ONLY FOR CONSTRUCTION PURPOSES	MSG-W-07-JBLM

FINAL

MSG-W-07-JBLM